

AMMA 7242

72" x 42" x 22"

Amma takes its origin in the word "massage" as represented by two Chinese characters, AN and MO, meaning "calm through touch."



PRODUCT NO.

MODEL	TMU	TUB
	BAMVRB00T-XX	BAMVRB00N-XX

THERMOMASSEUR (TMU)	
Hydro-thermo massage • Air jet system	\$
Jets	58
2 heated backrests & headrests*	Included
MiaPlus® Control	Included
BU-Touch Control Application BUTOUCH	\$
Geysair®	Included
AromaCloud®*** BAROMAC	\$
Illuzio Chromatherapy BCHRO6	\$

TUB	
Soaker	\$
AromaCloud®*** BAROMAC	\$
Illuzio Chromatherapy BCHRO6	\$
WarmTouchShell® BWTS	\$
DOT control	Included with therapy
2 nd WarmTouchShell® BWTS2	\$

FEATURES


Installation type	Drop-in & Alcove (3 walls)		
No. of bathers	2	Inverted V	2
US gallons	65	Armrests	4
Imp. gallons	54	Grab bars (color match)	2
Raised seats	2		

STANDARD COLOR

 White 01	 Biscuit 02	Included
--	--	----------

OPTIONS (UPCHARGE APPLICABLE)

SKIRT	MULTIFIT BSMUL-XX	SJ-1 BSJ1-XX
White 01, Biscuit 02	\$	\$
CLEAR ACRYLIC GRAB BARS BGBG10-XX		
With Chrome 07 or Brushed Nickel 09 inserts		\$
TILE FLANGE (specify front or back)		
Ordered with bath (not installed) BTILEN		\$
Factory-installed. Front BTILEF, Back BTILEB, Special installation BTILEO		\$
WASTE & OVERFLOW		16" x 35" BOVER16-XX INTE- GRATED BOVERIN-XX
Chrome 07	\$	\$
White 01, Biscuit 02	\$	\$
Brushed Nickel 09, Polished Nickel 10	\$	\$
Oil-rubbed Bronze 11	\$	N/A
Matte Black 19, Satin Brass 18	N/A	\$
IF REQUIRED BY CONSTRUCTION CODE		
Brass waste & overflow kit*** BDRCOB		\$
Brass waste kit*** BDRCB		\$
16" x 35" Cable driven brass waste & overflow kit BOVERBR		\$

-  * Independently controlled.
- ** The AromaCloud® is built into the deck (factory installed).
- *** When ordered with integrated waste & overflow.

TOTAL PRICE \$



AMMA 7242



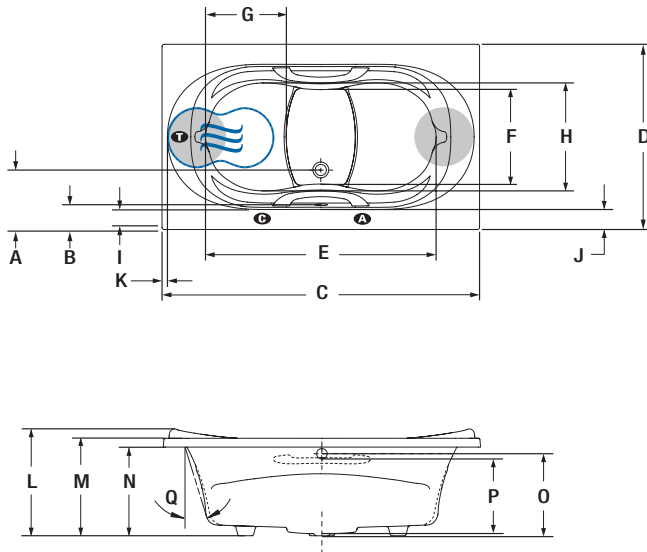
Inverted V backrest



Molded heated headrest

INSTALLATION

- A** When tile flange is added, the AromaCloud® will automatically be installed on the opposite side of the flange.



LETTER	DESCRIPTION	MEASURE
A	Outside edge to center drain	13 1/2"
B	Outside edge to overflow	5 3/8"
C	Total length	72 1/4"
D	Total width	42"
E	Bathing well length	52 1/4"
F	Bathing well width at center zone	21 3/8"
G	Raised seat length	18 5/8"
H	Raised seat width	24"
I	Deck width (narrowest point)	4"
J	Deck width (widest point)	5 1/4"
K	Deck width at backrest end end	1 1/4"
L	Total height to headrest	24 1/4"
M	Height from bottom of bath to top deck	22 1/8"
N	Height from bottom of bath to bottom of deck	20 1/8"
O	Height from drain to center of overflow	18 1/8"
P	Maximum water level	16 3/8"
Q	Slope of backrests	18°

- A** AromaCloud® position
C Control position when factory-installed (Mia® or DOT)
T Turbine position (TMU)
 ● Indicates heated backrest (TMU)
 Indicates WarmTouchShell® position (TUB)

TECHNICAL SPECIFICATIONS

Hot water supply required	The hot water supply should be 70% or more of the bath's total water capacity.
Turbine	Access to the pump must be at least 18" x 22". Standard connection is two (2) dedicated breakers: One is 20A, 120 V, 60 Hz, and the other 15A, 120 V, 60 Hz , dedicated lines with a GFCI. Air vent necessary: 2" x 4" minimum.
Others	- The Geysair is located on the same side as the heated backrest. It must NOT be relocated. It must be connected to the hot water supply and be accessible (provide access). - Optional tile flange (specify front or back).

Our products must be installed by certified professionals only and according to our Owner's Manual as well as federal, provincial/state and local building codes and regulations (www.bainultra.com/documentation/documentation).

Approx. shipping weight	195 lbs
Turbine power	550 W
Air heater	600 W
WARRANTY	
Controls-LED-Geysair*	5 years
Bath & turbine*	20 years

* Some restrictions apply | www.bainultra.com/warranty

The specifications shown indicate the outer edge dimension and the inside bathing capacity dimension measured at air jets' height. The manufacturer accepts a 1/4" [0.64 cm] variance. There are variations on each product and specifications are subject to change as we improve upon our product as required. The dimensions needed for site preparation and structure building will differ. BainUltra® assumes no responsibility for preparatory work done prior to the product being on site.