

BAIN DE VILLE 6030

60" x 30" x 17"

Designed for the urban environment, Bain de Ville immediately brings a touch of modern refinement to any alcove bathroom space. Strong lines, integrated skirt, a wider deck and subtle but purposeful accents make a bold statement.



PRODUCT NO.

MODEL	TMU	TUB
Alcove - Left	BBVBRA0LT-XX	BBVBRA0LN-XX
Alcove - Right	BBVBRA0RT-XX	BBVBRA0RN-XX

THERMOMASSEUR (TMU) Hydro-thermo massage • Air jet system	\$
Jets	42
1 heated backrest	Included
Mia® Control (not installed)	Included
BU-Touch Control Application BUTOUCH	\$
Geysair®	Included
AromaCloud® BAROMAC	\$
Illuzio Chromatherapy BCHRO6	\$

TUB Soaker	\$
AromaCloud® BAROMAC	\$
Illuzio Chromatherapy BCHRO6	\$
WarmTouchShell® BWTS	\$
DOT control	Included with therapy

FEATURES

Installation type	Alcove (3 walls)		
Integrated skirt & tile flange (specify right or left)	Installed & Included		
No. of bathers	↓	Imp. gallons	33
US gallons	39		

INTEGRATED WASTE & OVERFLOW **BOVERINI-XX**

White 01 , Biscuit 02 , Chrome 07 , Brushed Nickel 09 , Polished Nickel 10 Matte White with UltraVelour finish 32	Installed & Included
---	----------------------

STANDARD COLOR

 	Included
White 01 Biscuit 02	

OPTIONS (UPCHARGE APPLICABLE)

FINISH

UltraVelour Matte Finish (white only) BVEL1	\$
--	----

CONTROL (TMU only)

MiaPlus** BMIAP1-XX	\$
----------------------------	----

UNIVERSAL ARMRESTS **BGBGU-XX NEW**

White 01	\$
-----------------	----

INTEGRATED WASTE & OVERFLOW **BOVERINI-XX**

Matte Black 19 , Satin Brass 18	\$
---	----

WASTE & OVERFLOW 16" x 35" **BOVER16-XX**

Chrome 07	\$
------------------	----

White 01 , Biscuit 02	\$
-------------------------------------	----


Brushed Nickel 09 , Polished Nickel 10 , Oil-rubbed Bronze 11	\$
--	----

IF REQUIRED BY CONSTRUCTION CODE

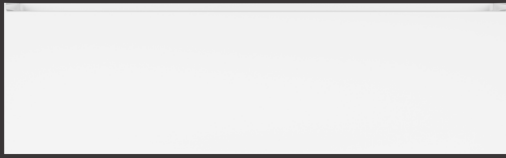
Brass waste & overflow kit** BDRCOB	\$
--	----

Brass waste kit** BDRCB	\$
--------------------------------	----

16" x 35" Cable driven brass waste & overflow kit BOVERBR	\$
--	----

 With the AromaCloud® and/or Control on the deck, a complete shower door cannot be installed.
Don't forget to specify the finish of the integrated waste & overflow.
* The MiaPlus® Control is included when purchasing Chromatherapy on a TMU.
** When ordered with integrated waste & overflow.

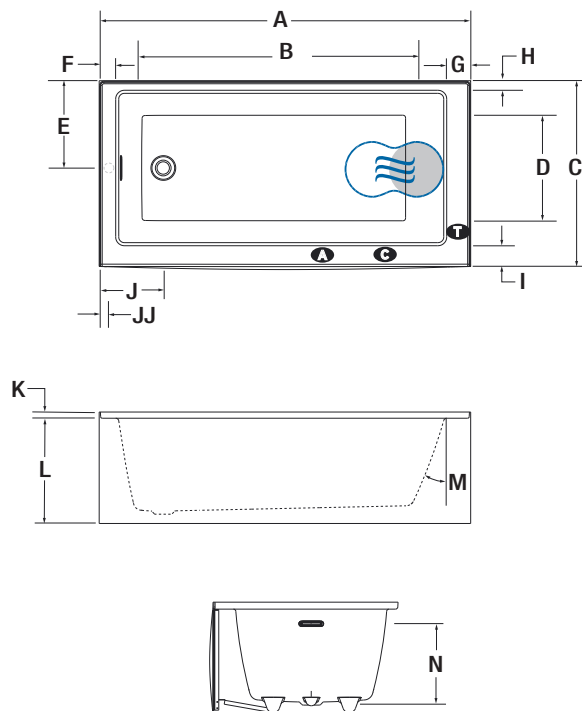
TOTAL PRICE \$



BAIN DE VILLE 6030



INSTALLATION



LETTER	DESCRIPTION	MEASURE
A	Total length	60"
B	Bathing well length	46 3/8"
C	Total width	30"
D	Bathing well width	20 1/2"
E	Outer edge to center drain (right side)	14 1/8"
F	Deck width (drain side)	3 3/16"
G	Deck width (backrest)	4 3/8"
H	Deck width (wall side)	2"
I	Deck width (skirt side)	3 7/8"
J	Outer edge to center drain Integrated waste & overflow (front)	10 3/8"
JJ	Outer edge to center of overflow Waste & overflow 16" x 35" only	2 3/8"
K	Tile flange height	1"
L	Height from floor to bottom of deck	17"
M	Slope of backrest	21°
N	Maximum water level	13"

- A** AromaCloud® position
- C** Control position when factory-installed (Mia® or DOT)
- T** Turbine position (TMU)
- Indicates heated backrest (TMU)
- ☁ Indicates WarmTouchShell® position (TUB)

TECHNICAL SPECIFICATIONS

Hot water supply required	The hot water supply should be 70% or more of the bath's total water capacity.
Turbine	Turbine is factory installed, so access to the pump must be at least 18" x 22". Standard connection is 20 A, 120 V, 60 Hz , dedicated line with a Ground-Fault Circuit Interrupter (GFCI). For any additional option, a second line is needed 15 A, 120 V, 60 Hz , dedicated line with a GFCI. Air vent necessary: 2" x 4" minimum.
Others	- The Geysair is located on the same side as the heated backrest. It must NOT be relocated . It must be connected to the hot water supply and be accessible (provide access). - Integrated tile flange is included (specify right or left).

Our products must be installed by certified professionals only and according to our Owner's Manual as well as federal, provincial/state and local building codes and regulations (www.bainultra.com/documentation/documentation).

Approx. shipping weight	125 lbs
Turbine power	550 W
Air heater	600 W
WARRANTY	
Controls-LED-Geysair*	5 years
Bath & turbine*	20 years

*Some restrictions apply | www.bainultra.com/warranty

The specifications shown indicate the outer edge dimension and the inside bathing capacity dimension measured at air jets' height. The manufacturer accepts a 1/4" [0.64 cm] variance. There are variations on each product and specifications are subject to change as we improve upon our product as required. The dimensions needed for site preparation and structure building will differ. BainUltra® assumes no responsibility for preparatory work done prior to the product being on site.