

# CELLA 6636

66" x 36" x 27" (FREESTANDING)

The name Balneo evokes the art of bathing. For BainUltra, a bath is an important ritual, part of a lifestyle that encourages you to slow down and take time for yourself.



With flat deck

## PRODUCT NO.

MODEL	TMU	TUB
Flat deck	BBCLOFN0T-XX	BBCLOFN0N-XX
Rolled deck	BBCLOFP0T-XX	BBCLOFP0N-XX

THERMOMASSEUR (TMU) Hydro-thermo massage • Air jet system	\$
Jets	38
1 heated backrest	Included
MiaPlus® Control*	Included
BU-Touch Control Application	Included
Geysair®	Included
AromaCloud®*** BAROMAC	\$
Illuzio Chromatherapy BCHRO6	\$
2 <sup>nd</sup> heated backrest (WTS-1 zone) BSHB	\$

TUB Soaker	\$
AromaCloud®*** BAROMAC	\$
Illuzio Chromatherapy BCHRO6	\$
WarmTouchShell® BWTS	\$
DOT control	Included with therapy
2 <sup>nd</sup> WarmTouchShell® BWTS2	\$

## FEATURES

Installation type		Freestanding	
No. of bathers		Imp. gallons	40
US gallons	48		
STANDARD COLOR			
		Included	
White 01	Biscuit 02		
CLAW FEET (specify finish) BFEET-XX			
Chrome 07, Brushed Nickel 09, Polished Nickel 10, Oil-rubbed Bronze 11, Unplated 00			Included

## OPTIONS (UPCHARGE APPLICABLE)

### UNIVERSAL ARMRESTS BGBGU-XX NEW

White 01	\$
----------	----

### FOR AIR SUPPLY ONLY

Decorative pipe (1 1/2" x 6")	\$
Decorative pipe (1 1/2" x 24")	\$
Pipe concealer (3" x 5 1/4")	\$
Elbow (45°)	\$
Elbow (90°)	\$

### WASTE & OVERFLOW D13 (exposed) BOVERD13-XX

Chrome 07	\$
Brushed Nickel 09, Polished Nickel 10, Oil-rubbed Bronze 11 Unplated 00	\$

Don't forget to indicate **flat or rolled deck**, as well as the selected **finish for the claw feet**.

\* For TMU, control must be wall-mounted. Faucets must be freestanding or wall-mounted.

\*\* The AromaCloud® is built into the deck (factory installed).

TOTAL PRICE \$

## FOR THE INSTALLER

SCAN TO VIEW INSTALLATION VIDEO (3:20 MIN)





**CELLA 6636** (FREESTANDING)



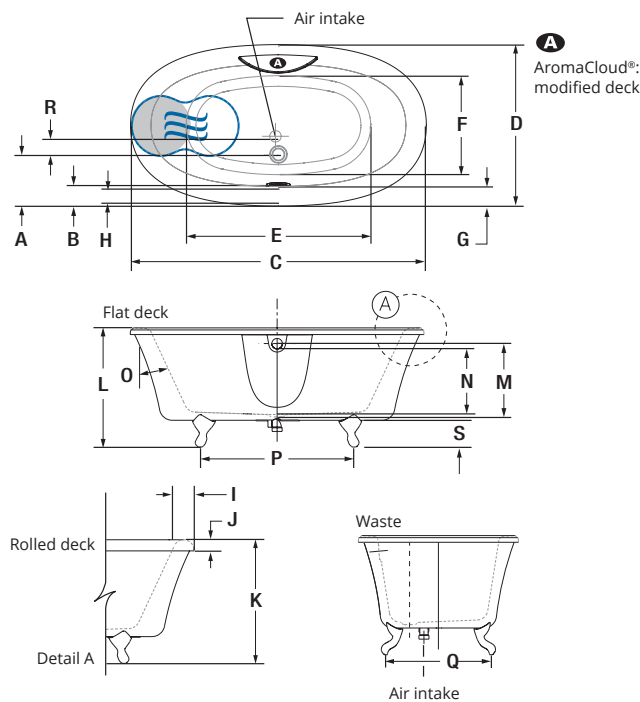
Flat deck



Rolled deck

**INSTALLATION**

Available with flat or rolled deck.



LETTER	DESCRIPTION	MEASURE
A	Outside edge to center drain	11 1/2"
B	Outside edge to overflow	4 5/8"
C	Total length	66"
D	Total width	36"
E	Bathing well length	42 3/8"
F	Bathing well width	22 1/4"
G	Deck width	4 1/4"
H	Flat surface width	3"
I	Rolled deck width	4 3/4"
J	Height from bottom of lip to top deck	2 1/2"
K	Height from clawfoot to top of lip	27 3/4"
L	Height from clawfoot to top of lip	26 3/4"
M	Height from drain to center of overflow	16 5/8"
N	Maximum water level	14 7/8"
O	Slope of backrests	25°
P	Length between clawfeet	34 5/8"
Q	Width between clawfeet	23 1/2"
R	Center drain to center air intake	3 1/4"
S	Clearance from floor to bottom of bath	4 1/2"

- A** AromaCloud® position
- Indicates WarmTouchShell® position (TUB)
- Indicates heated backrest (TMU)

**TECHNICAL SPECIFICATIONS**

<b>Hot water supply required</b>	The hot water supply should be 70% or more of the bath's total water capacity.
<b>Turbine</b>	Access to the pump must be at least 18" x 22". <b>Standard connection is 20 A, 120 V, 60 Hz</b> , dedicated line with a Ground-Fault Circuit Interrupter (GFCI). <b>For any additional option, a second line is needed 15 A, 120 V, 60 Hz</b> , dedicated line with a GFCI. Air vent necessary: 2" x 4" minimum.
<b>Others</b>	<ul style="list-style-type: none"> <li>- The Geysair is located on the same side as the heated backrest. It must <b>NOT</b> be relocated. It must be <b>connected to the hot water supply</b> and be accessible (provide access).</li> <li>- There is a height difference for the rolled deck (see drawing Detail A).</li> <li>- Faucets must be freestanding or wall-mounted.</li> <li>- The turbine must be <b>remotely installed</b>.</li> <li>- TMU: Control must be wall-mounted.</li> <li>- TUB: Dot controls are located on either sides of the AromaCloud® (see page 9, position of DOT control).</li> </ul>

<b>Cutting template</b>	# 90000055
<b>Approx. shipping weight</b>	285 lbs
<b>Turbine power</b>	550 W
<b>Air heater</b>	600 W
<b>WARRANTY</b>	
Controls-LED-Geysair*	5 years
Bath & turbine*	20 years

\* Some restrictions apply | [www.bainultra.com/warranty](http://www.bainultra.com/warranty)

Our products must be installed by certified professionals only and according to our Owner's Manual as well as federal, provincial/state and local building codes and regulations ([www.bainultra.com/documentation/documentation](http://www.bainultra.com/documentation/documentation)).

The specifications shown indicate the outer edge dimension and the inside bathing capacity dimension measured at air jets' height. The manufacturer accepts a 1/4" [0.64 cm] variance. There are variations on each product and specifications are subject to change as we improve upon our product as required. The dimensions needed for site preparation and structure building will differ. BainUltra® assumes no responsibility for preparatory work done prior to the product being on site.