

CELLA 7240

72" x 40" x 27" (FREESTANDING)

The name Balneo evokes the art of bathing. For BainUltra, a bath is an important ritual, part of a lifestyle that encourages you to slow down and take time for yourself.



With rolled deck

PRODUCT NO.

| MODEL | TMU | TUB |
|-------------|--------------|--------------|
| Flat deck | BBCUOFN0T-XX | BBCUOFN0N-XX |
| Rolled deck | BBCUOFP0T-XX | BBCUOFP0N-XX |

| THERMOMASSEUR (TMU) Hydro-thermo massage • Air jet system | \$ |
|--|----------|
| Jets | 40 |
| 1 heated backrest | Included |
| MiaPlus® Control* | Included |
| BU-Touch Control Application | Included |
| Geysair® | Included |
| AromaCloud®*** BAROMAC | \$ |
| Illuzio Chromatherapy BCHRO6 | \$ |
| 2 nd heated backrest (WTS-1 zone) BSHB | \$ |

| TUB Soaker | \$ |
|---------------------------------------|-----------------------|
| AromaCloud®*** BAROMAC | \$ |
| Illuzio Chromatherapy BCHRO6 | \$ |
| WarmTouchShell® BWTS | \$ |
| DOT control | Included with therapy |
| 2 nd WarmTouchShell® BWTS2 | \$ |

FEATURES

| Installation type | | Freestanding | |
|---|------------|--------------|----------|
| No. of bathers | | Imp. gallons | 49 |
| US gallons | 59 | | |
| STANDARD COLOR | | | |
| | | Included | |
| White 01 | Biscuit 02 | | |
| CLAW FEET (specify finish) BFEET-XX | | | |
| Chrome 07, Brushed Nickel 09, Polished Nickel 10, Oil-rubbed Bronze 11, Unplated 00 | | | Included |

OPTIONS (UPCHARGE APPLICABLE)

UNIVERSAL ARMRESTS BGBGU-XX NEW

| | |
|----------|----|
| White 01 | \$ |
|----------|----|

FOR AIR SUPPLY ONLY

| | |
|--------------------------------|----|
| Decorative pipe (1 1/2" x 6") | \$ |
| Decorative pipe (1 1/2" x 24") | \$ |
| Pipe concealer (3" x 5 1/4") | \$ |
| Elbow (45°) | \$ |
| Elbow (90°) | \$ |

WASTE & OVERFLOW D13 (exposed) BOVERD13-XX

| | |
|--|----|
| Chrome 07 | \$ |
| Brushed Nickel 09, Polished Nickel 10, Oil-rubbed Bronze 11 Unplated 00 | \$ |



Don't forget to indicate **flat or rolled deck**, as well as the selected **finish for the claw feet**.

* For TMU, control must be wall-mounted. Faucets must be freestanding or wall-mounted.

** The AromaCloud® is built into the deck (factory installed).

TOTAL PRICE \$

FOR THE INSTALLER

SCAN TO VIEW INSTALLATION VIDEO (3:20 MIN)





CELLA 7240 (FREESTANDING)



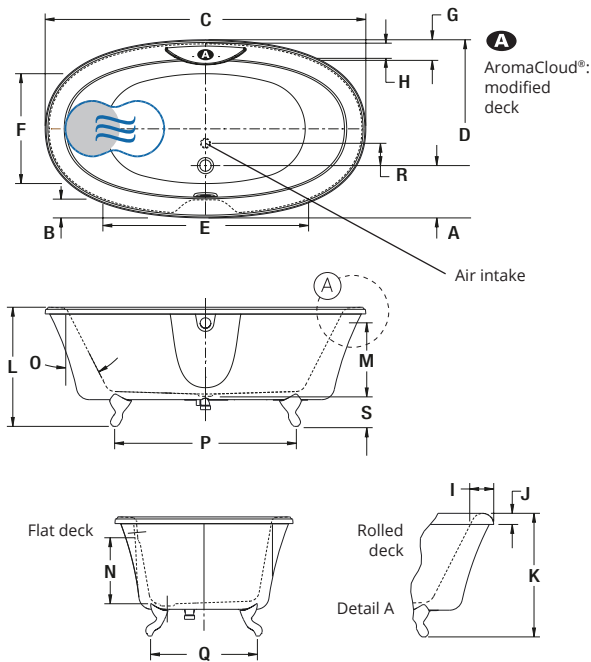
Flat deck



Rolled deck

INSTALLATION

Available with flat or rolled deck.



| LETTER | DESCRIPTION | MEASURE |
|--------|---|---------|
| A | Outside edge to center drain | 11 3/4" |
| B | Outside edge to overflow | 4 3/8" |
| C | Total length | 72" |
| D | Total width | 40" |
| E | Bathing well length | 46 1/8" |
| F | Bathing well width | 24 3/4" |
| G | Deck width | 4 5/8" |
| H | Flat surface width | 3 3/8" |
| I | Rolled deck width | 5 3/8" |
| J | Height from bottom of lip to top deck | 2 1/2" |
| K | Height from clawfoot to top of lip | 27 3/4" |
| L | Height from clawfoot to top of lip | 26 3/4" |
| M | Height from drain to center of overflow | 16 5/8" |
| N | Maximum water level | 14 7/8" |
| O | Slope of backrests | 27° |
| P | Length between clawfeet | 40 3/4" |
| Q | Width between clawfeet | 24" |
| R | Center drain to center air intake | 5" |
| S | Clearance from floor to bottom of bath | 4 1/2" |

- AromaCloud® position
- Indicates WarmTouchShell® position (TUB)
- Indicates heated backrest (TMU)

TECHNICAL SPECIFICATIONS

| | |
|----------------------------------|--|
| Hot water supply required | The hot water supply should be 70% or more of the bath's total water capacity. |
| Turbine | Access to the pump must be at least 18" x 22". Standard connection is 20 A, 120 V, 60 Hz , dedicated line with a Ground-Fault Circuit Interrupter (GFCI). For any additional option, a second line is needed 15 A, 120 V, 60 Hz , dedicated line with a GFCI. Air vent necessary: 2" x 4" minimum. |
| Others | <ul style="list-style-type: none"> - The Geysair is located on the same side as the heated backrest. It must NOT be relocated. It must be connected to the hot water supply and be accessible (provide access). - There is a height difference for the rolled deck (see drawing Detail A). - Faucets must be freestanding or wall-mounted. - The turbine must be remotely installed. - TMU: Control must be wall-mounted. - TUB: Dot controls are located on either sides of the AromaCloud® (see page 9, position of DOT control). |

| | |
|--------------------------------|------------|
| Cutting template | # 90000001 |
| Approx. shipping weight | 297 lbs |
| Turbine power | 550 W |
| Air heater | 600 W |
| WARRANTY | |
| Controls-LED-Geysair* | 5 years |
| Bath & turbine* | 20 years |

* Some restrictions apply | www.bainultra.com/warranty

Our products must be installed by certified professionals only and according to our Owner's Manual as well as federal, provincial/state and local building codes and regulations (www.bainultra.com/documentation/documentation).

The specifications shown indicate the outer edge dimension and the inside bathing capacity dimension measured at air jets' height. The manufacturer accepts a 1/4" [0.64 cm] variance. There are variations on each product and specifications are subject to change as we improve upon our product as required. The dimensions needed for site preparation and structure building will differ. BainUltra® assumes no responsibility for preparatory work done prior to the product being on site.