

# CHARISM 5736

57" x 36" x 23" (FREESTANDING)

Charism has broken the mold, transcending conventional approaches to therapeutic baths.



PRODUCT NO.			
MODEL	TMU	TUB	
Freestanding	BCH4OF00T-XX	BCH4OF00N-XX	
<b>THERMOMASSEUR (TMU)</b> Hydro-thermo massage • Air jet system			\$
Jets			35
1 heated backrest			Included
MiaPlus® Control*			Included
BU-Touch Control Application			Included
Geysair®			Included
AromaCloud®			N/A
Illuzio Chromatherapy BCHRO6			\$
<b>TUB Soaker</b>			\$
AromaCloud®			N/A
Illuzio Chromatherapy BCHRO6			\$
WarmTouchShell® BWTS			\$
DOT control			Included with therapy
FEATURES			
Installation type		Freestanding	
No. of bathers	▼	Imp. gallons	41
US gallons	49		
<b>INTEGRATED WASTE &amp; OVERFLOW</b> BOVERINI-XX			
White 01, Chrome 07, Brushed Nickel 09, Polished Nickel 10, Matte White with UltraVelour finish 32		Installed & Included	
STANDARD COLOR			
			Included
White 01			
STANDARD DECK COLOR			
			Included
White 01			

OPTIONS (UPCHARGE APPLICABLE)	
<b>FINISH</b>	
UltraVelour Matte Finish (white only) BVEL2	\$
<b>DECK COLOR</b> BDECKCO-XX	
Black 06               Copper 13               Crystal Rock 17	\$
<b>UNIVERSAL ARMRESTS</b> BGBGU-XX <b>NEW</b>	
White 01	\$
<b>INTEGRATED WASTE &amp; OVERFLOW</b> BOVERINI-XX	
Matte Black 19, Satin Brass 18	\$
<b>ISLAND TUB DRAIN™**</b>	
Island Tub Drain™ BISLDD	\$
Cast Iron Island Tub Drain™ BISLDDCI	\$
<b>IF REQUIRED BY CONSTRUCTION CODE</b>	
Brass waste & overflow kit BDRCOB	\$
Brass waste kit BDRCB	\$

Don't forget that this model is available in **White only with choice of deck color**. Don't forget to specify the **finish of the integrated waste & overflow**.  
 \* For TMU, control and faucets cannot be installed on deck of the bath.  
 \*\* An Island Tub Drain™ is required when there is **no access under the bath**.

<b>TOTAL PRICE</b>	\$
--------------------	----

**FOR THE INSTALLER**

**SCAN TO VIEW INSTALLATION VIDEO (3:20 MIN)**

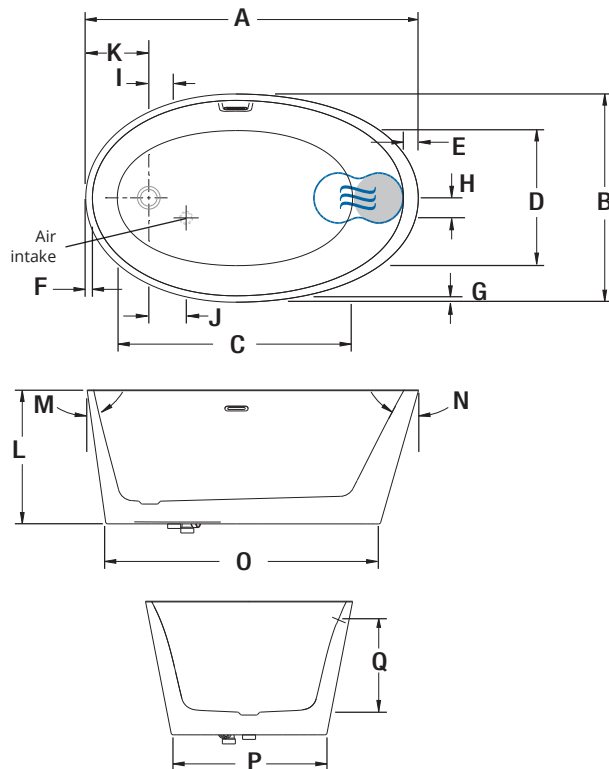


Copper deck color (optional)

## CHARISM 5736 (FREESTANDING)



### INSTALLATION



LETTER	DESCRIPTION	MEASURE
A	Total length	57 1/4"
B	Total width	35 7/8"
C	Bathing well length	41 1/2"
D	Bathing well width	23 7/8"
E	Deck width at headrest	2 5/8"
F	Deck width (drain end)	1 1/8"
G	Deck width	1 1/8"
H	Center bath drain to air intake	3 1/2"
I	Center bath drain to drain hole	4 1/4"
J	Center bath drain to air intake	6 1/2"
K	Outside edge to center bath drain	10 3/4"
L	Total height	23 1/4"
M	Slope at drain end	12°
N	Slope of backrest	31°
O	Base length	47 3/8"
P	Base width	26 7/8"
Q	Height from drain to center of overflow	16"

- Indicates heated backrest (TMU)
- ☄ Indicates WarmTouchShell® position (TUB)

### TECHNICAL SPECIFICATIONS

<b>Hot water supply required</b>	The hot water supply should be 70% or more of the bath's total water capacity.
<b>Turbine</b>	Access to the pump must be at least 18" x 22". <b>Standard connection is 20 A, 120 V, 60 Hz</b> , dedicated line with a Ground-Fault Circuit Interrupter (GFCI). <b>For any additional option, a second line is needed 15 A, 120 V, 60 Hz</b> , dedicated line with a GFCI. Air vent necessary: 2" x 4" minimum.
<b>Others</b>	<ul style="list-style-type: none"> <li>- The Geysair is located on the same side as the heated backrest. It must <b>NOT</b> be relocated. It must be <b>connected to the hot water supply</b> and be accessible (provide access).</li> <li>- Faucet must be freestanding or wall-mounted.</li> <li>- The turbine must be <b>remotely installed</b>.</li> <li>- Controls cannot be installed on the bath.</li> </ul>

Our products must be installed by certified professionals only and according to our Owner's Manual as well as federal, provincial/state and local building codes and regulations ([www.bainultra.com/documentation/documentation](http://www.bainultra.com/documentation/documentation)).

<b>Cutting template</b>	# 90000070
<b>Approx. shipping weight</b>	210 lbs
<b>Turbine power</b>	550 W
<b>Air heater</b>	600 W
<b>WARRANTY</b>	
Controls-LED-Geysair*	5 years
Bath & turbine*	20 years

\* Some restrictions apply | [www.bainultra.com/warranty](http://www.bainultra.com/warranty)

The specifications shown indicate the outer edge dimension and the inside bathing capacity dimension measured at air jets' height. The manufacturer accepts a 1/4" [0.64 cm] variance. There are variations on each product and specifications are subject to change as we improve upon our product as required. The dimensions needed for site preparation and structure building will differ. BainUltra® assumes no responsibility for preparatory work done prior to the product being on site.