

# OPALIA 6839 OBLIQUE ELLIPSE - LEFT

## 68" x 39" x 25" (FREESTANDING)

Presenting Opalia®, a collection of exquisitely crafted therapeutic baths with the bold, pure lines of a fascinating opal. Like so many magnificent jewels, Opalia oval baths play on elliptical perfection, with original deck designs that intrigue and delight.



### PRODUCT NO.

MODEL	TMU	TUB
Freestanding	BOPPOFXLT-XX	BOPPOFXLN-XX

THERMOMASSEUR (TMU) Hydro-thermo massage • Air jet system	\$8,815
Jets	35
1 heated backrest	Included
MiaPlus® Control (not installed)	Included
BU-Touch Control Application <b>BUTOUCH</b>	\$430
Geysair®	Included
AromaCloud®** <b>BAROMAC</b>	\$490
AromaFlow*** <b>BAROMAF</b> <b>NEW</b>	\$950
Illuzio Chromatherapy <b>BCHRO6</b>	\$925
2 <sup>nd</sup> heated backrest (WTS-1 zone) <b>BSHB</b>	\$1,125

TUB Soaker	\$6,220
AromaCloud®** <b>BAROMAC</b>	\$490
AromaFlow*** <b>BAROMAF</b> <b>NEW</b>	\$950
Illuzio Chromatherapy <b>BCHRO6</b>	\$925
WarmTouchShell® <b>BWTS</b>	\$1,125
DOT control	Included with therapy
2 <sup>nd</sup> WarmTouchShell® <b>BWTS2</b>	\$370

### FEATURES

Installation type	Freestanding		
No. of bathers		Imp. gallons	42
US gallons	51		

### INTEGRATED WASTE & OVERFLOW **BOVERINI-XX**

White <b>01</b> , Chrome <b>07</b> , Brushed Nickel <b>09</b> , Polished Nickel <b>10</b> , Matte White with UltraVelour finish <b>32</b>	Installed & Included
---	----------------------

### STANDARD COLOR

	White <b>01</b>	Included
--	-----------------	----------

### OPTIONS (UPCHARGE APPLICABLE)

#### COLOR

	Black / White <b>66</b>	\$475
--	-------------------------	-------

#### FINISH

UltraVelour Matte Finish (white only) <b>BVEL2</b>	\$850
--	-------

#### UNIVERSAL ARMRESTS **BGBGU-XX**

White <b>01</b>	\$750
-----------------	-------

#### INTEGRATED WASTE & OVERFLOW **BOVERINI-XX**

Matte Black <b>19</b> , Satin Brass <b>18</b>	\$120
---	-------

#### ISLAND TUB DRAIN™\*\*

Island Tub Drain™ <b>BISLDD</b>	\$260
Cast Iron Island Tub Drain™ <b>BISLDDCI</b>	\$310



Don't forget to specify the **finish of the integrated waste & overflow**. Faucets must be freestanding or wall-mounted.

\* The AromaCloud® is built into the deck (factory installed).

\*\* An Island Tub Drain™ is required when there is **no access under the bath**.

\*\*\* When ordering an AromaFlow, an Integrated waste & overflow is mandatory (Included). Specify the finish of the waste.

### FOR THE INSTALLER

SCAN  
TO VIEW  
INSTALLATION  
VIDEO (3:20 MIN)

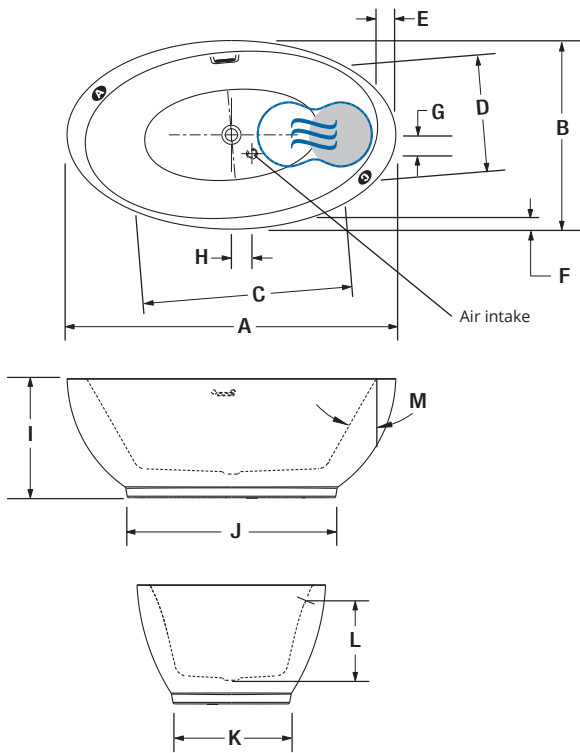




**OPALIA 6839** OBLIQUE ELLIPSE - LEFT (FREESTANDING)



**INSTALLATION**



LETTER	DESCRIPTION	MEASURE
A	Total length	68"
B	Total width	39"
C	Bathing well length (at height of jets)	41 5/8"
D	Bathing well width (at height of jets)	23 5/8"
E	Deck width (backrests)	3 7/8"
F	Deck width (center)	2 3/8"
G	Air intake to center of drain (long axis)	3 7/8"
H	Air intake to center of drain (trans. axis)	4 1/4"
I	Bath height	24 3/4"
J	Length of the base	43"
K	Width of the base	24"
L	Maximum water level Maximum water level with AromaFlow	15 7/8" 15 5/16"
M	Slope of backrests	31°

- A** AromaCloud® position
- C** Control position when factory-installed (Mia® or DOT)
- Indicates heated backrest (TMU)
- ☄ Indicates WarmTouchShell® position (TUB)

**TECHNICAL SPECIFICATIONS**

<b>Hot water supply required</b>	The hot water supply should be 70% or more of the bath's total water capacity.
<b>Turbine</b>	Access to the pump must be at least 18" x 22". <b>Standard connection is 20 A, 120 V, 60 Hz, dedicated line with a Ground-Fault Circuit Interrupter (GFCI). For any additional option, a second line is needed 15 A, 120 V, 60 Hz, dedicated line with a GFCI.</b>
<b>Others</b>	<ul style="list-style-type: none"> <li>- The Geysair® is located on the same side as the heated backrest. It must <b>NOT be relocated</b>. It must be <b>connected to the hot water supply</b> and be accessible (provide access).</li> <li>- Faucet must be freestanding or wall-mounted.</li> <li>- The turbine must be <b>remotely installed</b>.</li> <li>- The water level will be lower when an AromaFlow is installed.</li> </ul>

Our products must be installed by certified professionals only and according to our Owner's Manual as well as federal, provincial/state and local building codes and regulations ([www.bainultra.com/dealers/dealer-documentation-and-catalog](http://www.bainultra.com/dealers/dealer-documentation-and-catalog)).

The specifications shown indicate the outer edge dimension and the inside bathing capacity dimension measured at air jets' height. The manufacturer accepts a 1/4" [0.64 cm] variance. There are variations on each product and specifications are subject to change as we improve upon our product as required. The dimensions needed for site preparation and structure building will differ. BainUltra® assumes no responsibility for preparatory work done prior to the product being on site.

<b>Cutting template</b>	# 90000073
<b>Approx. shipping weight</b>	230 lb
<b>Turbine power</b>	550 W
<b>Air heater</b>	600 W
<b>WARRANTY</b>	
Controls-LED-Geysair*	5 years
Bath & turbine*	20 years

\* Some restrictions apply | [www.bainultra.com/warranty](http://www.bainultra.com/warranty)