

THALASSA SENSATION

54" x 54" x 20"

Thalassa means "the sea," where all states of being co-mingle.



PRODUCT NO.

| MODEL | TMU | TUB |
|-------|--------------|--------------|
| | BTHACD00T-XX | BTHACD00N-XX |

| THERMOMASSEUR (TMU) Hydro-thermo massage • Air jet system | \$5,100 |
|--|----------|
| Jets | 40 |
| 1 heated backrest & headrest | Included |
| Mia® Control | Included |
| BU-Touch Control Application BUTOUCH | \$430 |
| Geysair® | Included |
| AromaCloud®** BAROMAC | \$490 |
| AromaFlow*** BAROMAF NEW | \$950 |
| Illuzio Chromatherapy BCHRO6 | \$925 |
| 2 nd heated backrest (WTS-1 zone) BSHB | \$1,125 |

| TUB Soaker | \$2,380 |
|--|-----------------------|
| AromaCloud®** BAROMAC | \$490 |
| AromaFlow*** BAROMAF NEW | \$950 |
| Illuzio Chromatherapy BCHRO6 | \$925 |
| WarmTouchShell® BWTS | \$1,125 |
| DOT control | Included with therapy |
| 2 nd WarmTouchShell® BWTS2 | \$370 |

FEATURES

| | | | |
|-------------------|------------------|-------------------------|----|
| Installation type | Drop-in & Corner | | |
| No. of bathers | | Imp. gallons | 46 |
| US gallons | 55 | Grab bars (color match) | 1 |

STANDARD COLOR

| | | |
|-----------------|-------------------|----------|
| | | Included |
| White 01 | Biscuit 02 | |

OPTIONS (UPCHARGE APPLICABLE)

CONTROL (TMU only)

| | |
|-----------------------------|-------|
| MiaPlus®** BMIAP1-XX | \$285 |
|-----------------------------|-------|

SKIRT SJ-3 SE **BSJ3-XX**

| | |
|-------------------------------------|---------|
| White 01 , Biscuit 02 | \$1,310 |
|-------------------------------------|---------|

CLEAR ACRYLIC GRAB BARS **BGBG10-XX**

| | |
|---|------|
| With Chrome 07 or Brushed Nickel 09 inserts | \$60 |
|---|------|

TILE FLANGE

| | |
|---|-------|
| Ordered with bath (not installed) BTILEN | \$79 |
| Factory-installed. Front BTILEF . Special installation BTILEO | \$155 |

WASTE & OVERFLOW

16" x 35"
BOVER16-XX

INTE-GRATED**
BOVERIN-XX

| | | |
|--|-------|-------|
| Chrome 07 | \$260 | \$235 |
| White 01 , Biscuit 02 | \$290 | \$235 |
| Brushed Nickel 09 , Polished Nickel 10 | \$400 | \$235 |
| Oil-rubbed Bronze 11 | \$400 | N/A |
| Matte Black 19 , Satin Brass 18 | N/A | \$355 |

IF REQUIRED BY CONSTRUCTION CODE

| | |
|--|-------|
| 16" x 35" Cable driven brass waste & overflow kit BOVERBR | \$240 |
|--|-------|



* The AromaCloud® is built into the deck (factory installed).

** The MiaPlus® Control is Included when purchasing Chromatherapy and/or a 2nd heated backrest on a TMU.

*** Only when ordering an AromaFlow, an Integrated waste & overflow is mandatory (Upcharge). Specify the finish of the waste.

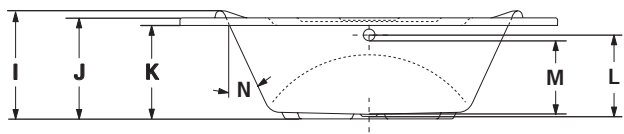
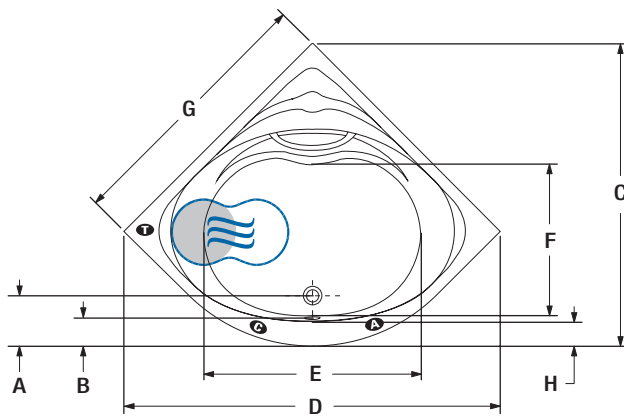


SENSATION



Acrylic grab bar

INSTALLATION



| LETTER | DESCRIPTION | MEASURE |
|--------|---|---------|
| A | Outside edge to center drain | 10 1/2" |
| B | Outside edge to overflow | 5 1/2" |
| C | Total length | 58 7/8" |
| D | Total width | 75 7/8" |
| E | Bathing well length | 44" |
| F | Bathing well width | 28 7/8" |
| G | Sidewall length | 53 7/8" |
| H | Deck width (widest point) | 5 1/4" |
| I | Total height to raised headrest | 22 1/4" |
| J | Height from bottom of bath to top deck | 20 1/4" |
| K | Height from bottom of bath to bottom of deck | 18 3/4" |
| L | Height from bottom of drain to center of overflow | 15 3/4" |
| M | Maximum water level (Waste & overflow 16" x 35") | 14" |
| | Maximum water level with AromaFlow | 13 3/4" |
| N | Slope of backrests | 21° |

- A** AromaCloud® position
- G** Control position when factory-installed (Mia® or DOT)
- T** Turbine position (TMU)
- Indicates heated backrest (TMU)
- ☉ Indicates WarmTouchShell® position (TUB)

TECHNICAL SPECIFICATIONS

| | |
|----------------------------------|---|
| Hot water supply required | The hot water supply should be 70% or more of the bath's total water capacity. |
| Turbine | Access to the pump must be at least 18" x 22". Standard connection is 20 A, 120 V, 60 Hz , dedicated line with a Ground-Fault Circuit Interrupter (GFCI). For any additional option, a second line is needed 15 A, 120 V, 60 Hz , dedicated line with a GFCI. Air vent necessary: 2" x 4" minimum. |
| Others | <ul style="list-style-type: none"> - The Geysair® is located on the same side as the heated backrest. It must NOT be relocated. It must be connected to the hot water supply and be accessible (provide access). - Optional tile flange. - The water level will be lower when an AromaFlow is installed. |

Our products must be installed by certified professionals only and according to our Owner's Manual as well as federal, provincial/state and local building codes and regulations (www.bainultra.com/dealers/dealer-documentation-and-catalog).

| | |
|--------------------------------|------------|
| Cutting template | # 90000014 |
| Approx. shipping weight | 135 lb |
| Turbine power | 550 W |
| Air heater | 600 W |
| WARRANTY | |
| Controls-LED-Geysair* | 5 years |
| Bath & turbine* | 20 years |

* Some restrictions apply | www.bainultra.com/warranty

The specifications shown indicate the outer edge dimension and the inside bathing capacity dimension measured at air jets' height. The manufacturer accepts a 1/4" [0.64 cm] variance. There are variations on each product and specifications are subject to change as we improve upon our product as required. The dimensions needed for site preparation and structure building will differ. BainUltra® assumes no responsibility for preparatory work done prior to the product being on site.