

# AMMA 6032

60" x 32" x 21"

Amma takes its origin in the word "massage" as represented by two Chinese characters, AN and MO, meaning "calm through touch."



## PRODUCT NO.

DESCRIPTION	TMU	TUB
	BAMDRB00T-XX	BAMDRB00N-XX

THERMOMASSEUR (TMU)	
Hydro-thermo massage • Air jet system	\$
Jets	45
1 heated backrest & headrest	Included
MiaPlus® Control	Included
BU-Touch Control Application <b>BUTOUCH NEW</b>	\$
Geysair®	Included
AromaCloud** <b>BAROMAC</b>	\$
Illuzio Chromatherapy <b>BCHRO6</b>	\$

TUB Soaker	
AromaCloud** <b>BAROMAC</b>	\$
Illuzio Chromatherapy <b>BCHRO6</b>	\$
WarmTouchShell® <b>BWTS</b>	\$
DOT control	Included with therapy

## FEATURES

Installation type	Drop-in & Alcove (3 walls)		
No. of bathers	1	Raised seat	1
US gallons	46	Inverted V	1
Imp. gallons	39		

## STANDARD COLOR

 White <b>01</b>	 Biscuit <b>02</b>	Included
---	---	----------

## OPTIONS (UPCHARGE APPLICABLE)

SKIRT	MULTIFIT <b>BSMUL-XX</b>	SJ-1 <b>BSJ1-XX</b>
White <b>01</b> , Biscuit <b>02</b>	\$	\$
WASTE & OVERFLOW	16" x 35" <b>BOVER16-XX</b>	INTE-GRATED <b>BOVERIN-XX</b>
Chrome <b>07</b>	\$	\$
White <b>01</b> , Biscuit <b>02</b>	\$	\$
Brushed Nickel <b>09</b> , Polished Nickel <b>10</b>	\$	\$
Oil-rubbed Bronze <b>11</b>	\$	N/A
Black Chrome <b>12</b> , Matte Black <b>19</b> , Satin Brass <b>18</b>	N/A	\$
TILE FLANGE (specify right or left)		
Ordered with bath (not installed) <b>BTILEN</b>		\$
Factory-installed. Right <b>BTILER</b> , Left <b>BTILEL</b> , Special installation <b>BTILEO</b>		\$
IF REQUIRED BY CONSTRUCTION CODE		
Brass waste & overflow kit** <b>BDRCOB</b>		\$
Brass waste kit** <b>BDRCB</b>		\$
16" x 35" Cable driven brass waste & overflow kit <b>BOVERBR-XX</b>		\$

 \* The AromaCloud® is built into the deck (factory installed).  
 \*\* When ordered with integrated waste & overflow.

<b>TOTAL PRICE</b>	\$
--------------------	----



## AMMA 6032



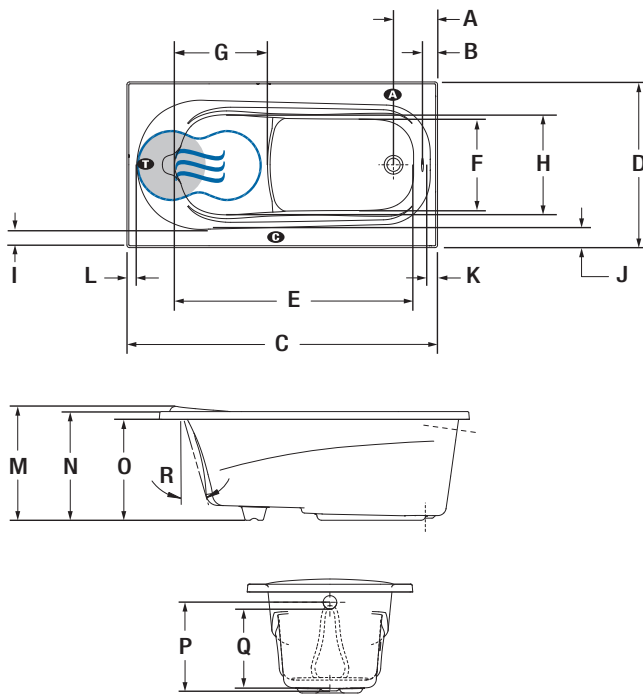
Molded heated headrest



Inverted V backrest

### INSTALLATION

- A** When tile flange is added, the AromaCloud® will automatically be installed on the opposite side of the flange.



LETTER	DESCRIPTION	MEASURE
A	Outside edge to center drain	8 1/2"
B	Outside edge to overflow	2 1/2"
C	Total length	60"
D	Total width	32"
E	Bathing well length	46 1/4"
F	Bathing well width at foot area	17 1/2"
G	Raised seat length	18"
H	Raised seat width	19 3/8"
I	Deck width (narrowest point)	3 1/8"
J	Deck width (widest point)	3 7/8"
K	Deck width at drain end	2"
L	Deck width at backrest end	1 7/8"
M	Total height to headrest	22"
N	Height from bottom of bath to top deck	21"
O	Height from bottom of bath to bottom of lip	19 1/2"
P	Height from drain to center of overflow	17"
Q	Maximum water level	15 1/4"
R	Slope of backrest	16°

- A** AromaCloud® position  
**B** Control position when factory-installed (Mia® or DOT)  
**C** Turbine position (TMU)  
 ● Indicates heated backrest (TMU)  
 Indicates WarmTouchShell® position (TUB)

### TECHNICAL SPECIFICATIONS

<b>Hot water supply required</b>	Should be 70% of water capacity of TUB or greater.
<b>Turbine</b>	Access to the pump must be at least 18" x 22". <b>Standard connection is 20 A, 120 V, 60 Hz</b> , dedicated line with a Ground-Fault Circuit Interrupter (GFCI). <b>For any additional option, a second line is needed 15 A, 120 V, 60 Hz</b> , dedicated line with a GFCI. Air vent necessary: 2" x 4" minimum.
<b>Others</b>	- The GEYSAIR must always be accessible and connected to the hot water supply (provide access). - Optional tile flange (specify right or left).

Our products must be installed by certified professionals only and according to our Owner's Manual as well as federal, provincial/state and local building codes and regulations ([www.bainultra.com/documentation/documentation](http://www.bainultra.com/documentation/documentation)).

<b>Approx. shipping weight</b>	138 lbs
<b>Turbine power</b>	550 W
<b>Air heater</b>	600 W
<b>WARRANTY</b>	
Controls-LED-Geysair*	5 years
Bath & turbine*	20 years

\* Some restrictions apply | [www.bainultra.com/warranty](http://www.bainultra.com/warranty)



The specifications shown indicate the outer edge dimension and the inside bathing capacity dimension measured at air jets' height. The manufacturer accepts a 1/4" [0.64 cm] variance. There are variations on each product and specifications are subject to change as we improve upon our product as required. The dimensions needed for site preparation and structure building will differ. BainUltra® assumes no responsibility for preparatory work done prior to the product being on site.