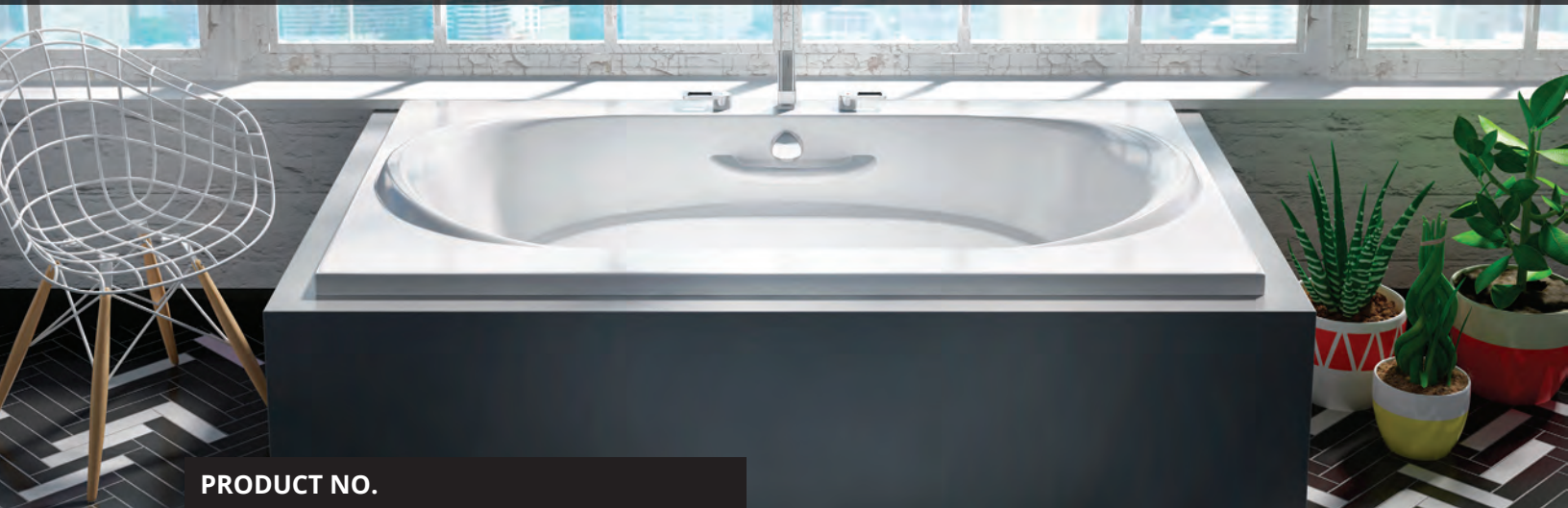


# AMMA 7242

72" x 42" x 22"

Amma takes its origin in the word "massage" as represented by two Chinese characters, AN and MO, meaning "calm through touch."



## PRODUCT NO.

DESCRIPTION	TMU	TUB
	BAMVRB00T-XX	BAMVRB00N-XX

THERMOMASSEUR (TMU)	\$
Hydro-thermo massage • Air jet system	
Jets	58
2 heated backrests & headrests*	Included
MiaPlus® Control	Included
BU-Touch Control Application <b>BUTOUCH NEW</b>	\$
Geysair®	Included
AromaCloud®*** <b>BAROMAC</b>	\$
Illuzio Chromatherapy <b>BCHRO6</b>	\$

TUB Soaker	\$
AromaCloud®*** <b>BAROMAC</b>	\$
Illuzio Chromatherapy <b>BCHRO6</b>	\$
WarmTouchShell® <b>BWTS</b>	\$
DOT control	Included with therapy
2 <sup>nd</sup> WarmTouchShell® <b>BWTS2</b>	\$

FEATURES			
Installation type	Drop-in & Alcove (3 walls)		
No. of bathers	👤👤	Inverted V	2
US gallons	65	Armrests	4
Imp. gallons	54	Grab bars (color match)	2
Raised seats	2		

STANDARD COLOR		
		Included
White 01	Biscuit 02	

## OPTIONS (UPCHARGE APPLICABLE)

SKIRT	MULTIFIT BSMUL-XX	SJ-1 BSJ1-XX
White 01, Biscuit 02	\$	\$
CLEAR ACRYLIC GRAB BARS <b>BGBG10-XX</b>		
With Chrome 07 or Brushed Nickel 09 inserts		\$
WASTE & OVERFLOW	16" x 35" BOVER16-XX	INTE-GRATED BOVERIN-XX
Chrome 07	\$	\$
White 01, Biscuit 02	\$	\$
Brushed Nickel 09, Polished Nickel 10	\$	\$
Oil-rubbed Bronze 11	\$	N/A
Black Chrome 12, Matte Black 19, Satin Brass 18	N/A	\$
TILE FLANGE (specify front or back)		
Ordered with bath (not installed) <b>BTILEN</b>		\$
Factory-installed. Front <b>BTILEF</b> , Back <b>BTILEB</b> , Special installation <b>BTILEO</b>		\$
IF REQUIRED BY CONSTRUCTION CODE		
Brass waste & overflow kit*** <b>BDRCOB</b>		\$
Brass waste kit*** <b>BDRCB</b>		\$
16" x 35" Cable driven brass waste & overflow kit <b>BOVERBR-XX</b>		\$



\* Independently controlled.  
 \*\* The AromaCloud® is built into the deck (factory installed).  
 \*\*\* When ordered with integrated waste & overflow.

<b>TOTAL PRICE</b>	\$
--------------------	----



## AMMA 7242



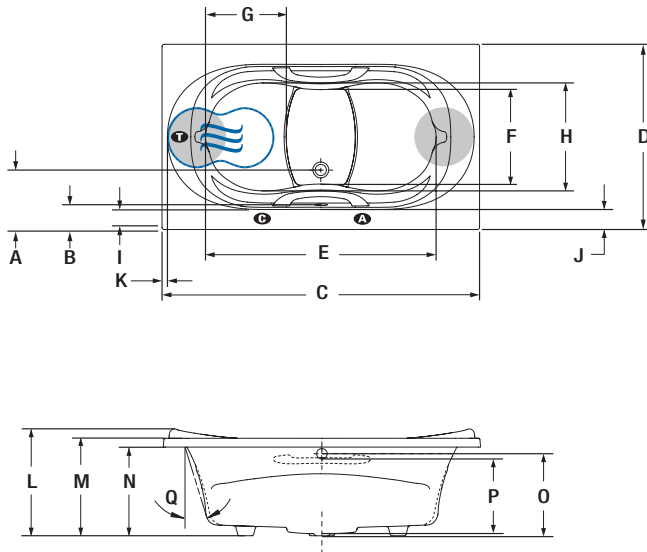
Inverted V backrest



Molded heated headrest

### INSTALLATION

- A** When tile flange is added, the AromaCloud® will automatically be installed on the opposite side of the flange.



LETTER	DESCRIPTION	MEASURE
A	Outside edge to center drain	13 1/2"
B	Outside edge to overflow	5 3/8"
C	Total length	72 1/4"
D	Total width	42"
E	Bathing well length	52 1/4"
F	Bathing well width at foot area	21 3/8"
G	Raised seat length	18 5/8"
H	Raised seat width	24"
I	Deck width (narrowest point)	4"
J	Deck width (widest point)	5 1/4"
K	Deck width at backrest end end	1 1/4"
L	Total height to headrest	24 1/4"
M	Height from bottom of bath to top deck	22 1/8"
N	Height from bottom of bath to bottom of lip	20 1/8"
O	Height from drain to center of overflow	18 1/8"
P	Maximum water level	16 3/8"
Q	Slope of backrests	18°

- A** AromaCloud® position  
**C** Control position when factory-installed (Mia® or DOT)  
**T** Turbine position (TMU)  
 ● Indicates heated backrest (TMU)  
 Indicates WarmTouchShell® position (TUB)

### TECHNICAL SPECIFICATIONS

<b>Hot water supply required</b>	Should be 70% of water capacity of TUB or greater.
<b>Turbine</b>	Access to the pump must be at least 18" x 22". <b>Standard connection is two (2) dedicated breakers: One is 20A, 120 V, 60 Hz, and the other 15A, 120 V, 60 Hz</b> , dedicated lines with a GFCI. Air vent necessary: 2" x 4" minimum.
<b>Others</b>	- The GEYSAIR must always be accessible and connected to the hot water supply (provide access). - Optional tile flange (specify front or back).

Our products must be installed by certified professionals only and according to our Owner's Manual as well as federal, provincial/state and local building codes and regulations ([www.bainultra.com/documentation/documentation](http://www.bainultra.com/documentation/documentation)).

<b>Approx. shipping weight</b>	195 lbs
<b>Turbine power</b>	550 W
<b>Air heater</b>	600 W

WARRANTY	
Controls-LED-Geysair*	5 years
Bath & turbine*	20 years

\* Some restrictions apply | [www.bainultra.com/warranty](http://www.bainultra.com/warranty)



The specifications shown indicate the outer edge dimension and the inside bathing capacity dimension measured at air jets' height. The manufacturer accepts a 1/4" [0.64 cm] variance. There are variations on each product and specifications are subject to change as we improve upon our product as required. The dimensions needed for site preparation and structure building will differ. BainUltra® assumes no responsibility for preparatory work done prior to the product being on site.