

# AMMA OVAL 7242

72" x 42" x 28" (FREESTANDING)

Amma takes its origin in the word "massage" as represented by two Chinese characters, AN and MO, meaning "calm through touch."



With flat deck

## PRODUCT NO.

DESCRIPTION	TMU	TUB
Flat deck	BAMVOFN0T-XX	BAMVOFN0N-XX
Raised deck	BAMVOFP0T-XX	BAMVOFP0N-XX
<b>THERMOMASSEUR (TMU)</b> Hydro-thermo massage • Air jet system		\$
Jets		58
2 heated backrests & headrests*		Included
MiaPlus® Control		Included
BU-Touch Control Application <b>BUTOUCH NEW</b>		\$
Geysair®		Included
AromaCloud*** <b>BAROMAC</b>		\$
Illuzio Chromatherapy <b>BCHRO6</b>		\$
<b>TUB Soaker</b>		\$
AromaCloud*** <b>BAROMAC</b>		\$
Illuzio Chromatherapy <b>BCHRO6</b>		\$
WarmTouchShell® <b>BWTS</b>		\$
DOT control		Included with therapy
2 <sup>nd</sup> WarmTouchShell® <b>BWTS2</b>		\$
<b>FEATURES</b>		
Installation type		Freestanding
No. of bathers	2	Inverted V
US gallons	65	Armrests
Imp. gallons	54	Grab bars (color match)
Raised seats	2	
<b>WASTE &amp; OVERFLOW 16" x 35" BOVER16I-XX</b>		
White 01, Biscuit 02, Chrome 07, Brushed Nickel 09, Polished Nickel 10, Oil-rubbed Bronze 11		Installed & Included
<b>STANDARD COLOR</b>		
White 01 Biscuit 02		Included
<b>STANDARD BASE COLOR BAMBASE-XX</b>		
Same as bath color XX, Wood Base 20		Included

## OPTIONS (UPCHARGE APPLICABLE)

### CLEAR ACRYLIC GRAB BARS BGBG10-XX

With Chrome 07 or Brushed Nickel 09 inserts \$

### INTEGRATED WASTE & OVERFLOW (installed) BOVERIN-XX

White 01, Biscuit 02, Chrome 07, Brushed Nickel 09, Polished Nickel 10 \$

Black Chrome 12, Matte Black 19, Satin Brass 18 \$

### ISLAND TUB DRAIN™\*\*\*

Island Tub Drain™ BSLDD \$

Cast Iron Island Tub Drain™ BSLDDCI \$

### IF REQUIRED BY CONSTRUCTION CODE

Brass waste & overflow kit\*\*\*\* BDRCOB \$

Brass waste kit\*\*\*\* BDRCB \$

16" x 35" Cable driven brass waste & overflow kit BOVERBR-XX \$



Don't forget to indicate **raised or flat deck**. Specify the finish for the waste & overflow.

\* Independently controlled.

\*\* The AromaCloud® is built into the deck (factory installed).

\*\*\* An Island Tub Drain™ is required when there is **no access under the bath**.

\*\*\*\* When ordered with integrated waste & overflow.

<b>TOTAL PRICE</b>	\$
--------------------	----



Raised deck

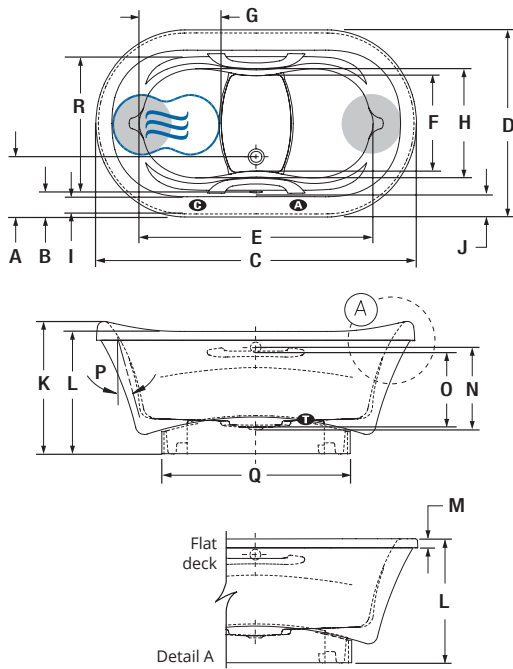


Flat deck

## AMMA OVAL 7242 (FREESTANDING)

### INSTALLATION

Available with raised or flat deck.



LETTER	DESCRIPTION	MEASURE
A	Outside edge to center drain	13 1/2"
B	Outside edge to overflow	5 3/8"
C	Total length	72"
D	Total width	42"
E	Bathing well length	52 1/4"
F	Bathing well width at foot area	21 3/8"
G	Raised seat length	18 5/8"
H	Raised seat width	24"
I	Flat surface width	3 7/8"
J	Deck width	5 1/4"
K	Total height to headrest	29 7/8"
L	Height from bottom of bath to top deck	27 5/8"
M	Height from bottom of lip to top deck	2"
N	Height from drain to center of overflow	18 1/8"
O	Maximum water level	16 3/8"
P	Slope of backrest	18°
Q	Base length	42 5/8"
R	Base width	28 5/8"

- A** AromaCloud® position
- C** Control position when factory-installed (Mia® or DOT)
- T** Turbine position (TMU)
- Indicates heated backrest (TMU)
- ☄ Indicates WarmTouchShell® position (TUB)

### TECHNICAL SPECIFICATIONS

<b>Hot water supply required</b>	Should be 70% of water capacity of TUB or greater.
<b>Turbine</b>	Access to the pump must be at least 18" x 22". <b>Standard connection is two (2) dedicated breakers: One is 20A, 120 V, 60 Hz, and the other 15A, 120 V, 60 Hz, dedicated lines with a GFCI.</b> Air vent necessary: 2" x 4" minimum.
<b>Others</b>	<ul style="list-style-type: none"> <li>- The GEYSAIR must always be accessible and connected to the hot water supply (provide access).</li> <li>- There is a height difference for the flat deck (see drawing Detail A).</li> <li>- Turbine located under bath and accessible by a removable base cover.</li> <li>- Faucets may be installed on deck of bath. Overflow preinstalled for easier in-home fitting.</li> <li>- Specify flat or raised deck.</li> </ul>

Our products must be installed by certified professionals only and according to our Owner's Manual as well as federal, provincial/state and local building codes and regulations ([www.bainultra.com/documentation/documentation](http://www.bainultra.com/documentation/documentation)).

<b>Cutting template</b>	# 90000036
<b>Approx. shipping weight</b>	290 lbs
<b>Turbine power</b>	550 W
<b>Air heater</b>	600 W
<b>WARRANTY</b>	
Controls-LED-Geysair*	5 years
Bath & turbine*	20 years

\* Some restrictions apply | [www.bainultra.com/warranty](http://www.bainultra.com/warranty)



The specifications shown indicate the outer edge dimension and the inside bathing capacity dimension measured at air jets' height. The manufacturer accepts a 1/4" [0.64 cm] variance. There are variations on each product and specifications are subject to change as we improve upon our product as required. The dimensions needed for site preparation and structure building will differ. BainUltra® assumes no responsibility for preparatory work done prior to the product being on site.