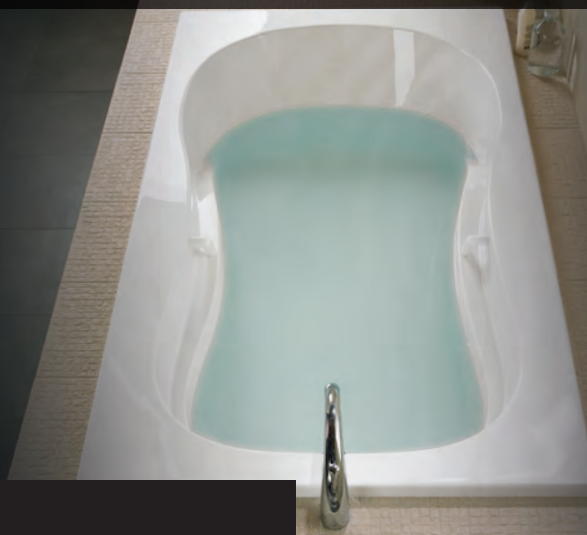


# AZUR 50

60" x 33" x 20"

The name Azur recalls sea and sky. It evokes a place where nature's powerful elements set the soul alight and cradle you in a comforting cocoon.



## PRODUCT NO.

DESCRIPTION	TMU	TUB
	BAZERB00T-XX	BAZERB00N-XX

THERMOMASSEUR (TMU)	\$
Hydro-thermo massage • Air jet system	
Jets	34
1 heated backrest	Included
Mia® Control	Included
BU-Touch Control Application <b>BUTOUCH NEW</b>	\$
Geysair®	Included
AromaCloud** <b>BAROMAC</b>	\$
Illuzio Chromatherapy <b>BCHRO6</b>	\$

TUB Soaker	\$
AromaCloud** <b>BAROMAC</b>	\$
Illuzio Chromatherapy <b>BCHRO6</b>	\$
WarmTouchShell® <b>BWTS</b>	\$
DOT control	Included with therapy

## FEATURES

Installation type	Drop-in & Alcove (3 walls)		
No. of bathers	2	Armrests	2
US gallons	41	Grab bars (color match)	2
Imp. gallons	33		

## STANDARD COLOR

 White <b>01</b>	 Biscuit <b>02</b>	Included
---	---	----------

## OPTIONS (UPCHARGE APPLICABLE)

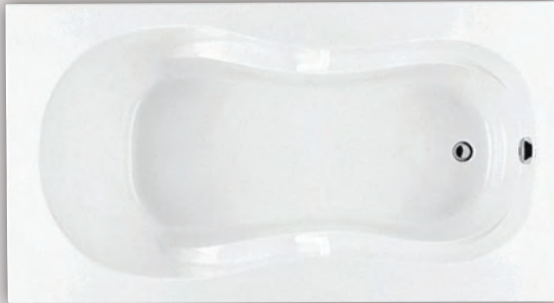
SKIRT	MULTIFIT <b>BSMUL-XX</b>	SJ-1 <b>BSJ1-XX</b>
White <b>01</b> , Biscuit <b>02</b>	\$	\$
<b>WASTE &amp; OVERFLOW 16" x 35" <b>BOVER16-XX</b></b>		
Chrome <b>07</b>		\$
White <b>01</b> , Biscuit <b>02</b>		\$
Brushed Nickel <b>09</b> , Polished Nickel <b>10</b> , Oil-rubbed Bronze <b>11</b>		\$
<b>CLEAR ACRYLIC GRAB BARS <b>BGBG10-XX</b></b>		
With Chrome <b>07</b> or Brushed Nickel <b>09</b> inserts		\$
<b>TILE FLANGE (specify right or left)</b>		
Ordered with bath (not installed) <b>BTILEN</b>		\$
Factory-installed. Right <b>BTILER</b> , Left <b>BTILEL</b> , Special installation <b>BTILEO</b>		\$
<b>CONTROL (TMU only)</b>		
MiaPlus*** <b>BMIAP2-XX</b>		\$
<b>IF REQUIRED BY CONSTRUCTION CODE</b>		
16" x 35" Cable driven brass waste & overflow kit <b>BOVERBR-XX</b>		\$



\* The AromaCloud® is built into the deck (factory installed).

\*\* The MiaPlus® Control is included when purchasing Chromatherapy on a TMU.

**TOTAL PRICE** \$



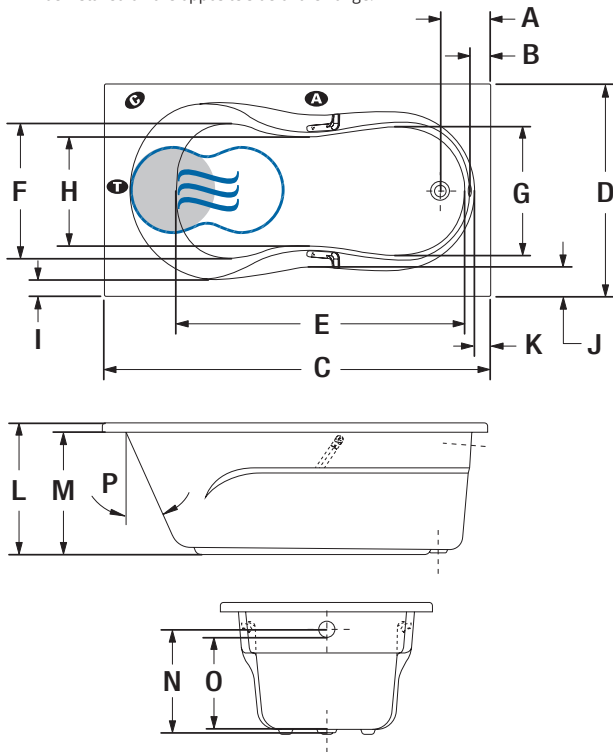
**AZUR 50**



Grab bar (included)

**INSTALLATION**

**A** When tile flange is added, the AromaCloud® will automatically be installed on the opposite side of the flange.



LETTER	DESCRIPTION	MEASURE
A	Outside edge to center drain	8 1/2"
B	Outside edge to overflow	2 5/8"
C	Total length	60"
D	Total width	33"
E	Bathing well length	45 1/4"
F	Bathing well width at seat area	21"
G	Bathing well width at foot area	19 5/8"
H	Bathing well width (narrowest point)	17 1/4"
I	Deck width (narrowest point)	2 5/8"
J	Deck width (widest point)	4 1/2"
K	Deck width at drain end	2 1/2"
L	Height from bottom of bath to top deck	20 1/4"
M	Height from bottom of bath to bottom of lip	18 3/4"
N	Height from drain to center of overflow	15 7/8"
O	Maximum water level	14 1/4"
P	Slope of backrest	25°

- A** AromaCloud® position
- C** Control position when factory-installed (Mia® or DOT)
- T** Turbine position (TMU)
- Indicates heated backrest (TMU)
- ☄ Indicates WarmTouchShell® position (TUB)

**TECHNICAL SPECIFICATIONS**

<b>Hot water supply required</b>	Should be 70% of water capacity of TUB or greater.
<b>Turbine</b>	Access to the pump must be at least 18" x 22". <b>Standard connection is 20 A, 120 V, 60 Hz</b> , dedicated line with a Ground-Fault Circuit Interrupter (GFCI). <b>For any additional option, a second line is needed 15 A, 120 V, 60 Hz</b> , dedicated line with a GFCI. Air vent necessary: 2" x 4" minimum.
<b>Others</b>	- The <b>GEYSAIR must always be accessible and connected to the hot water supply (provide access)</b> . - Optional tile flange (specify right or left).

Our products must be installed by certified professionals only and according to our Owner's Manual as well as federal, provincial/state and local building codes and regulations ([www.bainultra.com/documentation/documentation](http://www.bainultra.com/documentation/documentation)).

<b>Approx. shipping weight</b>	111 lbs
<b>Turbine power</b>	550 W
<b>Air heater</b>	600 W
<b>WARRANTY</b>	
Controls-LED-Geysair*	5 years
Bath & turbine*	20 years

\* Some restrictions apply | [www.bainultra.com/warranty](http://www.bainultra.com/warranty)



The specifications shown indicate the outer edge dimension and the inside bathing capacity dimension measured at air jets' height. The manufacturer accepts a 1/4" [0.64 cm] variance. There are variations on each product and specifications are subject to change as we improve upon our product as required. The dimensions needed for site preparation and structure building will differ. BainUltra® assumes no responsibility for preparatory work done prior to the product being on site.