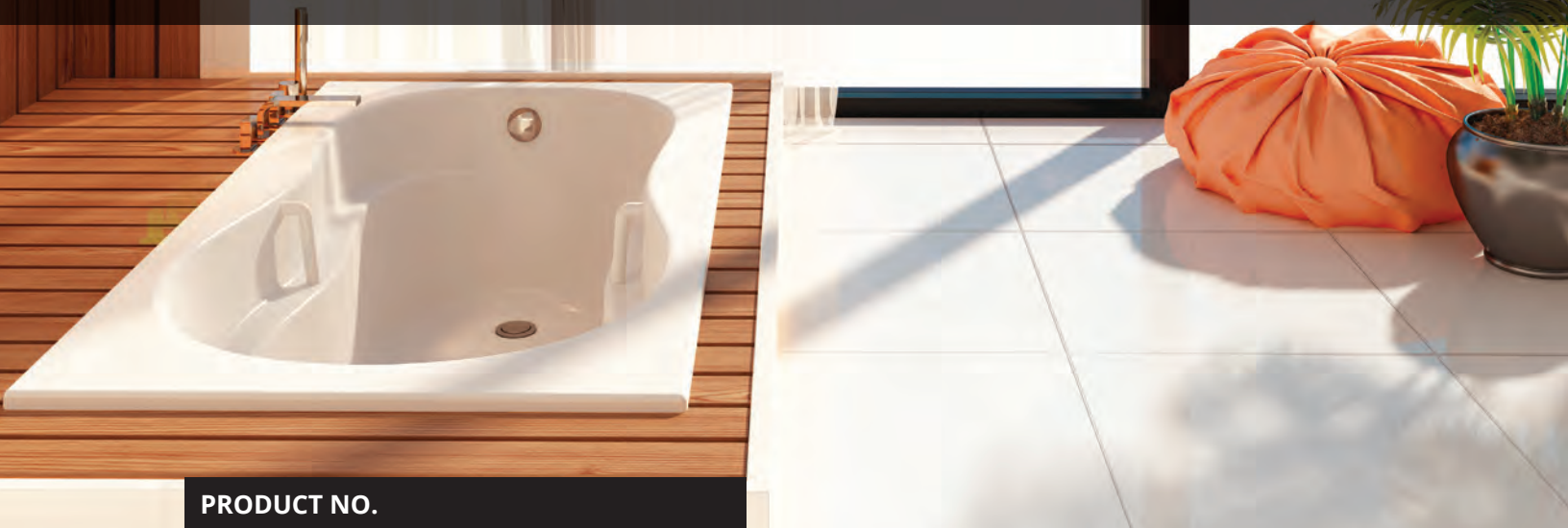


AZUR 60

72" x 36" x 20"

The name Azur recalls sea and sky. It evokes a place where nature's powerful elements set the soul alight and cradle you in a comforting cocoon.



PRODUCT NO.

DESCRIPTION	TMU	TUB
	BAZSRB00T-XX	BAZSRB00N-XX

THERMOMASSEUR (TMU) Hydro-thermo massage • Air jet system	\$
Jets	44
1 heated backrest	Included
Mia® Control	Included
BU-Touch Control Application BUTOUCH NEW	\$
Geysair®	Included
AromaCloud** BAROMAC	\$
Illuzio Chromatherapy BCHRO6	\$

TUB Soaker	\$
AromaCloud** BAROMAC	\$
Illuzio Chromatherapy BCHRO6	\$
WarmTouchShell® BWTS	\$
DOT control	Included with therapy

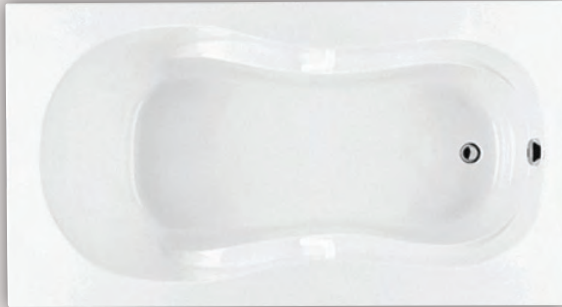
FEATURES			
Installation type	Drop-in & Alcove (3 walls)		
No. of bathers	2	Armrests	2
US gallons	53	Grab bars (color match)	2
Imp. gallons	44		
STANDARD COLOR			
		Included	
White 01	Biscuit 02		

OPTIONS (UPCHARGE APPLICABLE)

SKIRT	MULTIFIT BSMUL-XX	SJ-1 BSJ1-XX
White 01, Biscuit 02	\$	\$
WASTE & OVERFLOW 16" x 35" BOVER16-XX		
Chrome 07		\$
White 01, Biscuit 02		\$
Brushed Nickel 09, Polished Nickel 10, Oil-rubbed Bronze 11		\$
CLEAR ACRYLIC GRAB BARS BGBG10-XX		
With Chrome 07 or Brushed Nickel 09 inserts		\$
TILE FLANGE (specify right or left)		
Ordered with bath (not installed) BTILEN		\$
Factory-installed. Right BTILER , Left BTILEL , Special installation BTILEO		\$
CONTROL (TMU only)		
MiaPlus*** BMIAP2-XX		\$
IF REQUIRED BY CONSTRUCTION CODE		
16" x 35" Cable driven brass waste & overflow kit BOVERBR-XX		\$

* The AromaCloud® is built into the deck (factory installed).
 ** The MiaPlus® Control is included when purchasing Chromatherapy on a TMU.

TOTAL PRICE	\$
--------------------	----



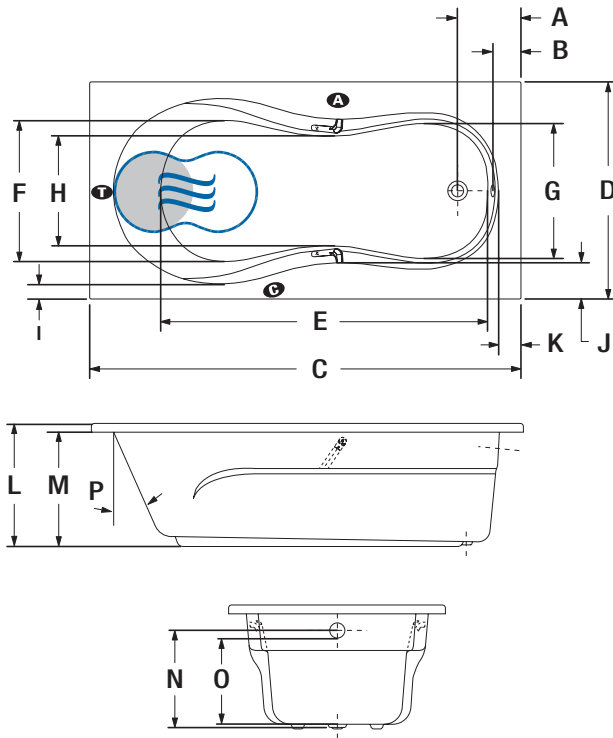
AZUR 60



Grab bar (included)

INSTALLATION

- A** When tile flange is added, the AromaCloud® will automatically be installed on the opposite side of the flange.



LETTER	DESCRIPTION	MEASURE
A	Outside edge to center drain	9 1/8"
B	Outside edge to overflow	3 7/8"
C	Total length	71 1/2"
D	Total width	36"
E	Bathing well length	54 1/4"
F	Bathing well width at seat area	22 3/8"
G	Bathing well width at foot area	21 1/4"
H	Bathing well width (narrowest point)	18"
I	Deck width (narrowest point)	3 1/8"
J	Deck width (widest point)	6 3/4"
K	Deck width at drain end	3 3/4"
L	Height from bottom of bath to top deck	20 1/2"
M	Height from bottom of bath to bottom of lip	19"
N	Height from drain to center of overflow	16 1/4"
O	Maximum water level	14 5/8"
P	Slope of backrest	24°

- A** AromaCloud® position
- C** Control position when factory-installed (Mia® or DOT)
- T** Turbine position (TMU)
- Indicates heated backrest (TMU)
- ☞ Indicates WarmTouchShell® position (TUB)

TECHNICAL SPECIFICATIONS

Hot water supply required	Should be 70% of water capacity of TUB or greater.
Turbine	Access to the pump must be at least 18" x 22". Standard connection is 20 A, 120 V, 60 hz , dedicated line with a Ground-Fault Circuit Interrupter (GFCI). For any additional option, a second line is needed 15 A, 120 V, 60 hz , dedicated line with a GFCI. Air vent necessary: 2" x 4" minimum.
Others	- The GEYSAIR must always be accessible and connected to the hot water supply (provide access). - Optional tile flange (specify right or left).

Our products must be installed by certified professionals only and according to our Owner's Manual as well as federal, provincial/state and local building codes and regulations (www.bainultra.com/documentation/documentation).

Approx. shipping weight	136 lbs
Turbine power	550 W
Air heater	600 W
WARRANTY	
Controls-LED-Geysair*	5 years
Bath & turbine*	20 years

* Some restrictions apply | www.bainultra.com/warranty



The specifications shown indicate the outer edge dimension and the inside bathing capacity dimension measured at air jets' height. The manufacturer accepts a 1/4" [0.64 cm] variance. There are variations on each product and specifications are subject to change as we improve upon our product as required. The dimensions needed for site preparation and structure building will differ. BainUltra® assumes no responsibility for preparatory work done prior to the product being on site.