

SANOS 7240

72" x 40" x 24" (FREESTANDING)

The name Balneo evokes the art of bathing. For BainUltra, a bath is an important ritual, part of a lifestyle that encourages you to slow down and take time for yourself.



With rolled deck

PRODUCT NO.

DESCRIPTION	TMU	TUB
Flat deck	BBSUOFN0T-XX	BBSUOFN0N-XX
Rolled deck	BBSUOFF0T-XX	BBSUOFF0N-XX

THERMOMASSEUR (TMU) Hydro-thermo massage • Air jet system	\$
Jets	40
1 heated backrest	Included
MiaPlus® Control*	Included
BU-Touch Control Application NEW	Included
Geysair®	Included
AromaCloud®*** BAROMAC	\$
Illuzio Chromatherapy BCHRO6	\$
2 nd heated backrest (WTS-1 zone) BSHB	\$

TUB Soaker	\$
AromaCloud®*** BAROMAC	\$
Illuzio Chromatherapy BCHRO6	\$
WarmTouchShell® BWTS	\$
DOT control	Included with therapy
2 nd WarmTouchShell® BWTS2	\$

FEATURES

Installation type		Freestanding	
No. of bathers		Imp. gallons	49
US gallons	59		
STANDARD COLOR			
		Included	
White 01	Biscuit 02		

OPTIONS (UPCHARGE APPLICABLE)

TOWEL BAR (factory installed)	TUBE BBARTU-XX	TWIST BBARTW-XX
Chrome 07, Unplated 00	\$	\$
Brushed Nickel 09, Polished Nickel 10, Oil-rubbed Bronze 11	\$	\$
FOR AIR SUPPLY ONLY		
Decorative pipe (1 1/2" x 6")		\$
Decorative pipe (1 1/2" x 24")		\$
Elbow (45°)		\$
Elbow (90°)		\$
WASTE & OVERFLOW D13 (exposed) BOVERD13-XX		
Chrome 07		\$
Brushed Nickel 09, Polished Nickel 10, Oil-rubbed Bronze 11, Unplated 00		\$



Don't forget to indicate **flat or rolled deck**.

* The AromaCloud® is built into the deck (factory installed).

** For TMU, control must be wall-mounted. Faucets must be freestanding or wall-mounted.

TOTAL PRICE \$



SANOS 7240 (FREESTANDING)



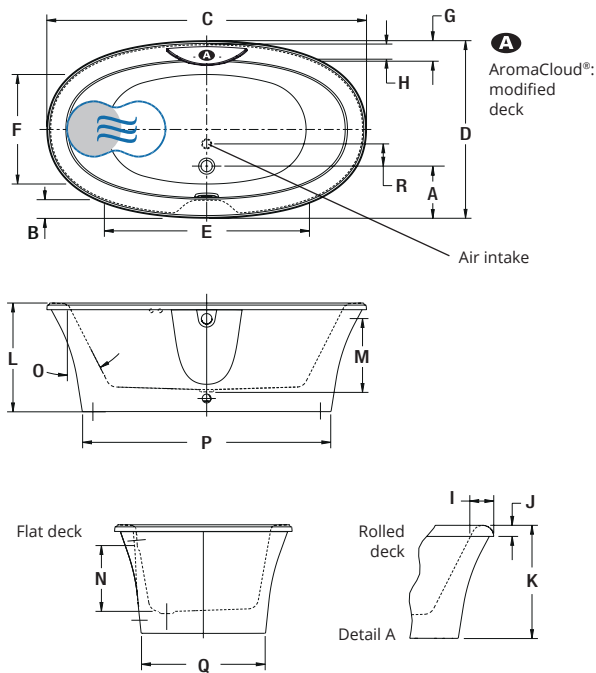
Flat deck



Rolled deck

INSTALLATION

Available with flat or rolled deck.



LETTER	DESCRIPTION	MEASURE
A	Outside edge to center drain	11 3/4"
B	Outside edge to overflow	4 3/8"
C	Total length	72"
D	Total width	40"
E	Bathing well length	46 1/8"
F	Bathing well width	24 3/4"
G	Deck width	4 5/8"
H	Flat surface width	3 3/8"
I	Rolled deck width	5 3/8"
J	Height from bottom of lip to top deck	2 1/2"
K	Height from bottom of bath to top deck	25 1/2"
L	Height from bottom of bath to top deck	24 1/2"
M	Height from drain to center of overflow	16 5/8"
N	Maximum water level	14 7/8"
O	Slope of backrest	27°
P	Base length	55 7/8"
Q	Base width	27 7/8"
R	Center drain to center air intake	5"

A AromaCloud® position

● Indicates heated backrest (TMU)

☞ Indicates WarmTouchShell® position (TUB)

TECHNICAL SPECIFICATIONS

Hot water supply required	Should be 70% of water capacity of TUB or greater.
Turbine	Access to the pump must be at least 18" x 22". Standard connection is 20 A, 120 V, 60 Hz , dedicated line with a Ground-Fault Circuit Interrupter (GFCI). For any additional option, a second line is needed 15 A, 120 V, 60 Hz , dedicated line with a GFCI. Air vent necessary: 2" x 4" minimum.
Others	<ul style="list-style-type: none"> - The GEYSAIR must always be accessible and connected to the hot water supply (provide access). - There is a height difference for the rolled deck (see drawing Detail A). - Faucets must be freestanding or wall-mounted. - The turbine must be remotely installed. - TMU: Control must be wall-mounted. - TUB: Dot controls are located on either sides of the AromaCloud®.

Our products must be installed by certified professionals only and according to our Owner's Manual as well as federal, provincial/state and local building codes and regulations (www.bainultra.com/documentation/documentation).

Cutting template	# 90000001
Approx. shipping weight	260 lbs
Turbine power	550 W
Air heater	600 W
WARRANTY	
Controls-LED-Geysair*	5 years
Bath & turbine*	20 years

* Some restrictions apply | www.bainultra.com/warranty



The specifications shown indicate the outer edge dimension and the inside bathing capacity dimension measured at air jets' height. The manufacturer accepts a 1/4" [0.64 cm] variance. There are variations on each product and specifications are subject to change as we improve upon our product as required. The dimensions needed for site preparation and structure building will differ. BainUltra® assumes no responsibility for preparatory work done prior to the product being on site.