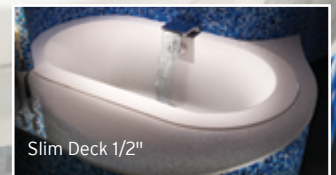




PRODUCT SHEET

ORIGAMI OVAL 7242 ORIGINAL SERIES
72" X 42" X 22"



THERMOMASSEUR® BATH	\$
THERMASENS® BATH	\$
SOAKER BATH	\$

THERMOMASSEUR (TMU)	
Jets	40
1 heated backrest	included
MiaPlus® Control	included
Geysair™	\$
AromaCloud®	\$
Chromatherapy - LED	\$

THERMASENS (TMSU)	
AromaCloud®	included
Chromatherapy - LED	included
WarmTouchShell®	included
2 DOT controls (standard location)	included
2 nd WarmTouchShell	\$

FEATURES INCLUDED			
Installation type	Drop-in Slim Deck & 2" Deck Height & Undermount 2" Deck Height		
No. of bathers		Imp. gallons	52
US gallons	62		

OPTIONAL UPCHARGE APPLICABLE

COLORS

Standards	
	White
	Bone
	Biscuit
	Almond

Optionals		\$
	Black	
	Mexican sand	
	Cashmere	
	Sandbar	
	Gray	

FINISH

UltraVelour Matte Finish (White Only)*	\$
--	----

CONTROL (TMU ONLY)

MiaMulti®	\$
-----------	----

DRAIN & OVERFLOW 16" X 35"

Chrome	\$
White, Biscuit & Bone	\$
Brass	\$
Brushed nickel, Polished nickel & Oil-rubbed bronze	\$

DON'T FORGET TO INDICATE THE CHOSEN DECK HEIGHT (2" OR 5").
* **ULTRAVELOUR MATTE FINISH IS AVAILABLE AT NO CHARGE UNTIL FEBRUARY 1st, 2017.**

1 800 463.2187 info@bainultra.com | From 8 a.m. to 8 p.m. Monday to Thursday (EST)
From 8 a.m. to 5 p.m. on Friday (EST)

ORIGAMI OVAL 7242 ORIGINAL SERIES 72" X 42" X 22"

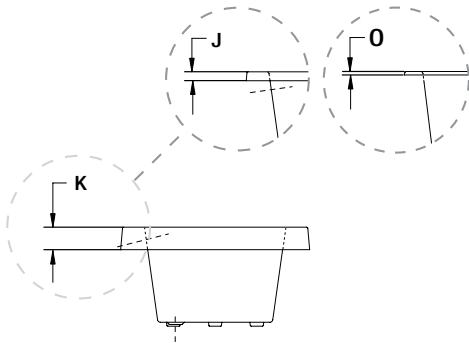
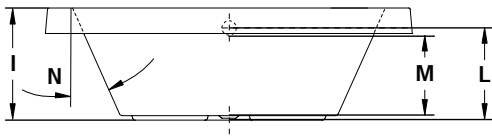
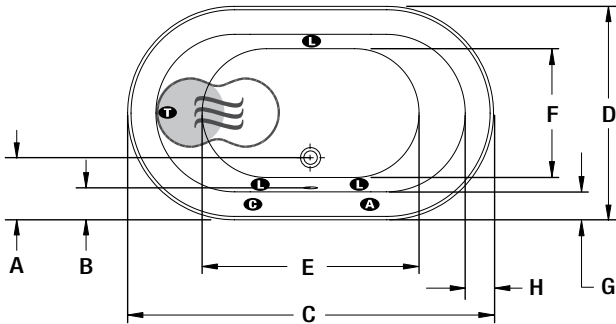
ACCESSORIES (OPTIONAL)

CUTTING TEMPLATE

90000035

TOTAL PRICE

\$



LETTER	DESCRIPTION	MEASURE
A	Outside edge to center drain	12 1/4"
B	Outside edge to overflow	5 1/2"
C	Total length (with 2" deck height) Total length (with 5" deck height)	72" 72 1/2"
D	Total width (with 2" deck height) Total width (with 5" deck height)	41 1/2" 42"
E	Bathing well length	45 1/8"
F	Bathing well width	26 7/8"
G	Deck width at drain end	5 1/4"
H	Deck width	5 1/2"
I	Height from bottom of tub to top deck	22"
J	Height from bottom of lip to top deck	2"
K	Height from bottom of lip to top deck	5 1/8"
L	Height from drain to center of overflow	16 3/4"
M	Maximum water level	15 5/8"
N	Slope of backrest	24°
O	Height from bottom of lip to top deck	1/2"

- Indicates turbine position (TMU)
- Indicates LED light position
- Indicates heated backrest (TMU)
- Indicates control position when factory-installed
- Indicates WarmTouchShell position (TMSU)
- Indicates AromaCloud position

TECHNICAL SPECIFICATIONS

Hot water supply required	Should be 70% of water capacity of tub or greater.
Turbine	Access to the pump must be at least 18" X 22". Standard connection is 15 A. 120 V, 60 hz, dedicated line with a Ground-Fault Circuit Interrupter (GFCI). With Geysair, upgrade to 20 A. 120 V, 60 hz, dedicated line GFCI is needed. For any additional option with the Geysair, a second line is needed 15 A. 120 V, 60 hz, dedicated line with a GFCI. Air vent necessary: 2" X 4" minimum.

Approx. shipping weight	140 lbs
Turbine power	600 W
Air heater	700 W

WARRANTY

Controls-LED-Geysair*	5 years
Bath & turbine*	20 years

*Some restrictions apply | www.bainultra.com/warranty

The specifications shown indicate the outer edge dimension and the inside bathing capacity dimension measured at air jets' height. The manufacturer accepts a 1/4" [0,64 cm] variance. There are variations on each product and specifications are subject to change as we improve upon our product as required. The dimensions needed for site preparation and structure building will differ. BainUltra® assumes no responsibility for preparatory work done prior to the product being on site.

